

**Technical data**

Voltage	U	230	V
Phase		1	~
Frequency		50	Hz
Speed		930	RPM
Power consumption	P <sub>e</sub>	520	W
Nominal current	I	2.3	A
Maximum current	I	3.2	A
Capacitor		16/400	µF
Ambient temperature	T <sub>amb</sub> min/max	-25...40	°C
Insulation Class		CL.F	
IP Class Fan		IP55	
Sound pressure level at 2 m	L <sub>p</sub>	67	dB(A)
Weight		22.1	kg
Packing dimensions		870x870x395	mm

**Fan details**

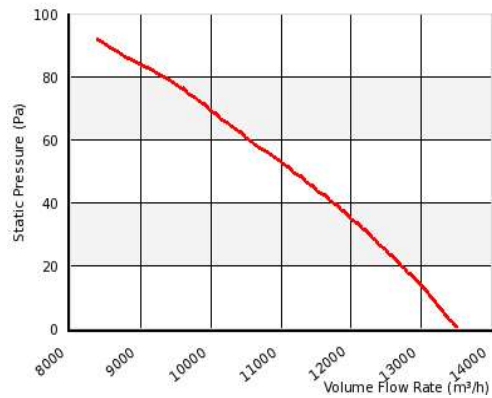
Impeller blades	4
Impeller type	5
Impeller system	G
Impeller material	PG

**Control options**

Triac controller	Yes
Transformer	Yes
Frequency drive	No
Intelligent Fan Drive	Yes

**Characteristics**

0 Pa 13500 m<sup>3</sup>/h  
 50 Pa 11200 m<sup>3</sup>/h



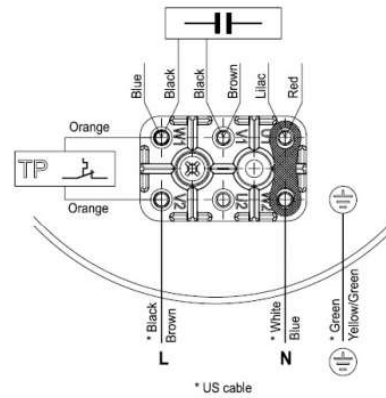
Please note: Picture may deviate from original product

**Approval(s)**

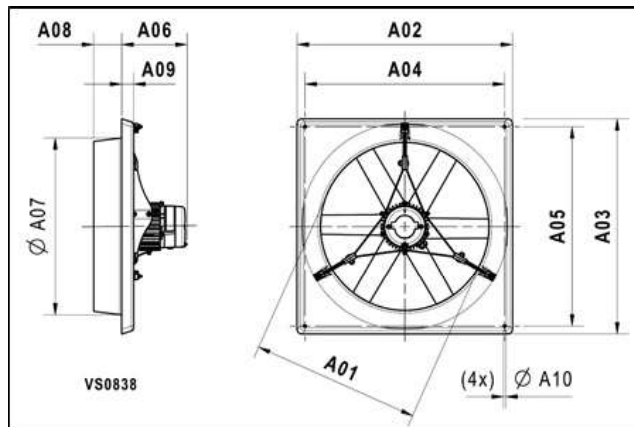


**Wiring diagram - Fan**

AA01 - 1 Phase - Standard - CCW



**Dimensions**



- A01: 712 mm
- A02: 850 mm
- A03: 850 mm
- A04: 790 mm
- A05: 790 mm
- A06: 247 mm
- A07: 740 mm
- A08: 105 mm
- A09: 40 mm
- A10: 10 mm