



Technical data

| | | | |
|-----------------------------|--------------------------|-------------|-------|
| Voltage | U | 230 | V |
| Phase | | 1 | ~ |
| Frequency | | 50 | Hz |
| Speed | | 935 | RPM |
| Power consumption | P _e | 500 | W |
| Nominal current | I | 2.2 | A |
| Maximum current | I | 3.2 | A |
| Capacitor | | 16/400 | µF |
| Ambient temperature | T _{amb} min/max | -25...40 | °C |
| Insulation Class | | CL.F | |
| IP Class Fan | | IP55 | |
| Sound pressure level at 2 m | L _p | 69 | dB(A) |
| Weight | | 22.4 | kg |
| Packing dimensions | | 800x790x395 | mm |

Fan details

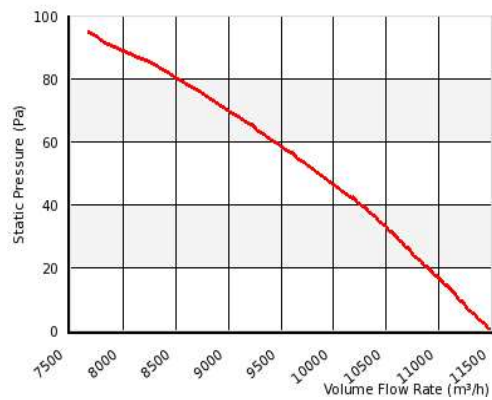
| | |
|-------------------|----|
| Impeller blades | 5 |
| Impeller type | 5 |
| Impeller system | G |
| Impeller material | PG |

Control options

| | |
|-----------------------|-----|
| Triac controller | Yes |
| Transformer | Yes |
| Frequency drive | No |
| Intelligent Fan Drive | Yes |

Characteristics

0 Pa 11500 m³/h
 50 Pa 9850 m³/h



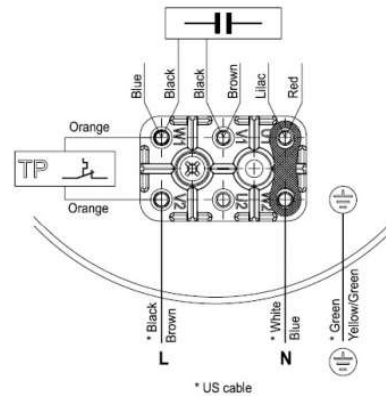
Please note: Picture may deviate from original product

Approval(s)

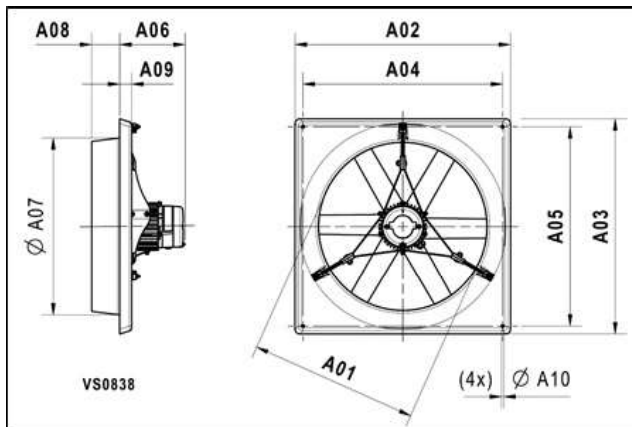


Wiring diagram - Fan

AA01 - 1 Phase - Standard - CCW



Dimensions



- A01: 646 mm
- A02: 775 mm
- A03: 775 mm
- A04: 715 mm
- A05: 715 mm
- A06: 247 mm
- A07: 670 mm
- A08: 105 mm
- A09: 40 mm
- A10: 10 mm