

**Technical data**

Voltage	U	230	V
Phase		1	~
Frequency		50	Hz
Speed		1385	RPM
Power consumption	P <sub>e</sub>	400	W
Nominal current	I	1.8	A
Maximum current	I	2.6	A
Capacitor		10/400	µF
Ambient temperature	T <sub>amb min/max</sub>	-25...40	°C
Insulation Class		CL.F	
IP Class Fan		IP55	
Sound pressure level at 2 m	L <sub>p</sub>	70	dB(A)
Weight		14.5	kg
Packing dimensions		670x670x315	mm

**Fan details**

Impeller blades	6
Impeller type	3
Impeller system	C
Impeller material	PP

**Control options**

Triac controller	Yes
Transformer	Yes
Frequency drive	No
Intelligent Fan Drive	Yes

**Characteristics**

0 Pa 8350 m<sup>3</sup>/h  
 50 Pa 7200 m<sup>3</sup>/h



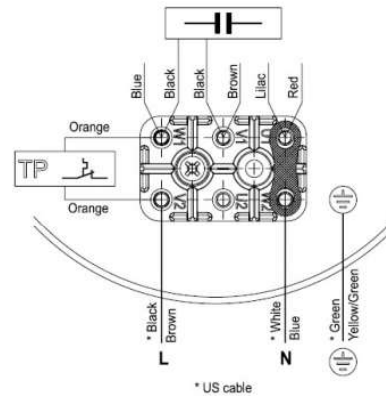
Please note: Picture may deviate from original product

**Approval(s)**

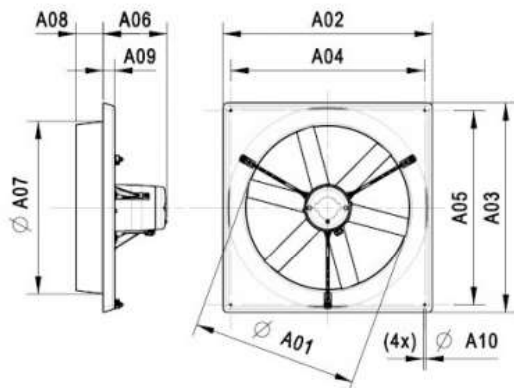


**Wiring diagram - Fan**

AA01 - 1 Phase - Standard - CCW



**Dimensions**



A01:	512 mm
A02:	648 mm
A03:	648 mm
A04:	600 mm
A05:	600 mm
A06:	192 mm
A07:	540 mm
A08:	84 mm
A09:	36 mm
A10:	8 mm