

**Technical data**

Voltage	U	230	V
Phase		1	~
Frequency		50	Hz
Speed		1430	RPM
Power consumption	P <sub>e</sub>	220	W
Nominal current	I	1	A
Maximum current	I	1.7	A
Capacitor		04/400	µF
Ambient temperature	T <sub>amb min/max</sub>	-25...40	°C
Insulation Class		CL.F	
IP Class Fan		IP55	
Sound pressure level at 2 m	L <sub>p</sub>	66	dB(A)
Weight		12.5	kg
Packing dimensions		560x560x315	mm

**Fan details**

Impeller blades	6
Impeller type	3
Impeller system	C
Impeller material	PP

**Control options**

Triac controller	Yes
Transformer	Yes
Frequency drive	No
Intelligent Fan Drive	Yes

**Characteristics**

0 Pa 5050 m<sup>3</sup>/h  
 50 Pa 4300 m<sup>3</sup>/h



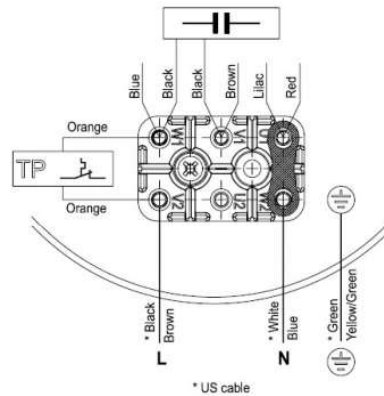
Please note: Picture may deviate from original product

**Approval(s)**

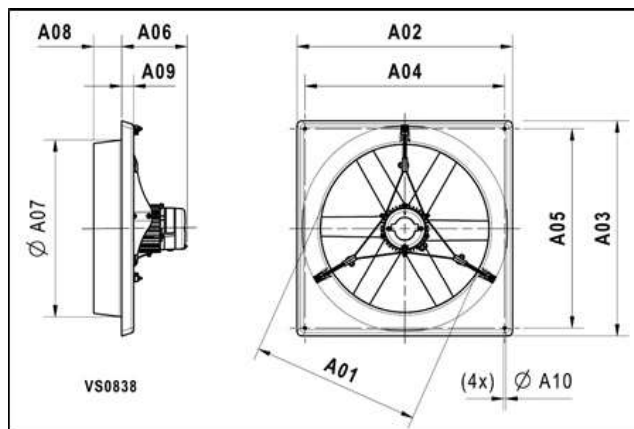


**Wiring diagram - Fan**

AA01 - 1 Phase - Standard - CCW



**Dimensions**



- A01: 415 mm
- A02: 543 mm
- A03: 543 mm
- A04: 495 mm
- A05: 495 mm
- A06: 192 mm
- A07: 440 mm
- A08: 84 mm
- A09: 36 mm
- A10: 8 mm